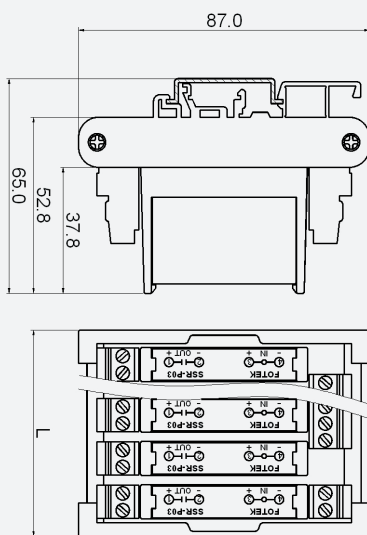


Model

| Model | Description | Model | Description |
|-------------|---------------------|-------------|---------------------|
| SSR-P03N-2P | 2 units / NPN input | SSR-P03P-2P | 2 units / PNP input |
| SSR-P03N-4P | 4 units / NPN input | SSR-P03P-4P | 4 units / PNP input |
| SSR-P03N-8P | 8 units / NPN input | SSR-P03P-8P | 8 units / PNP input |

Outline dimension / 外形尺寸



| Type | L |
|------------|-------|
| SSR-P03-1P | 20.0 |
| SSR-P03-2P | 33.6 |
| SSR-P03-4P | 59.6 |
| SSR-P03-8P | 111.6 |

Connection / 接線圖

